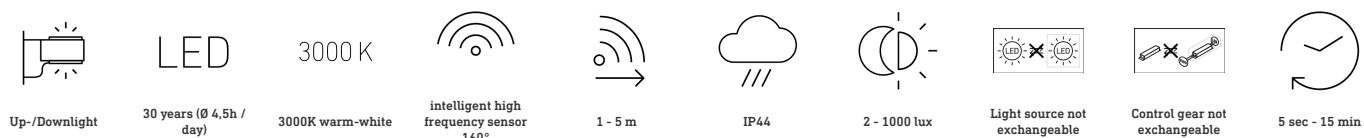


Sensor-switched LED outdoor light

L 820 S

V2 Anthracite
EAN 4007841 035754
Article number 035754



Function description

The most modern outdoor light in the world. Designer sensor-switched outdoor light L 820 S with invisible high-frequency sensor, ideal for building entrances and fronts of buildings, 9,8 W STEINEL LED lighting system, 679 lm, 160° coverage angle, reach from 1 - 5 m, for stylish up and downlighting with house number panel, includes soft light start and optional manual override for 4 hours.

Technical specifications

Dimensions (L x W x H)	145 x 230 x 260 mm	Reach, radial	r = 5 m (35 m ²)
With lamp	Yes, STEINEL LED system	Reach, tangential	r = 5 m (35 m ²)
Manufacturer's Warranty	3 years	Photo-cell controller	Yes
Settings via	Potentiometers	Transmitter power	< 1 mW
With remote control	No	Luminous flux total product	679 lm
Version	Anthracite	Measured luminous flux (360°)	679 lm
PU1, EAN	4007841035754	Total product efficiency	69 lm/W
Application, place	Outdoors	Colour temperature	3000 K
Application, room	garden, front door, courtyard & driveway, all round the building, terrace / balcony	Lamp	LED cannot be replaced
Colour	Anthracite	Service life LED L70B50 (25°)	> 60000 h
includes sheet of self-adhesive numbers	Yes	Base	without
Installation site	wall	LED cooling system	Active and Passive Thermo Control
Impact resistance	IK03	Soft light start	Yes
IP-rating	IP44	Continuous light	selectable, 4h
Protection class	II	Functions	Motions sensor
		Twilight setting	2 – 2000 lx
		Time setting	5 s – 15 Min.

<https://www.steinel.de>

Subject to technical modifications

01.2023 Page 1 from 2

L 820 S

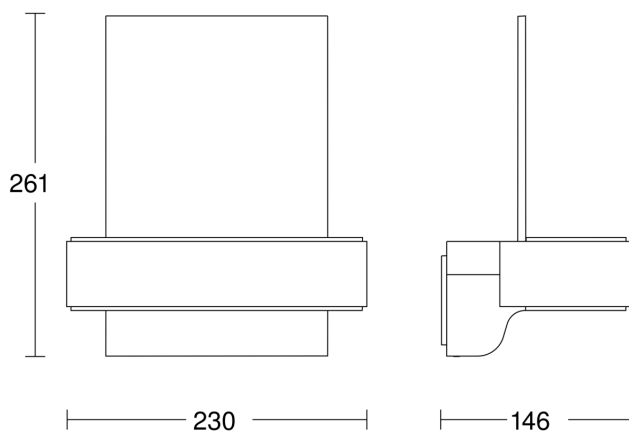
V2 Anthracite
 EAN 4007841 035754
 Article number 035754

Technical specifications

Ambient temperature	-20 – 40 °C
Housing material	Aluminium
Cover material	Plastic, opal
Mains power supply	220 – 240 V / 50 – 60 Hz
Output	9,8 W
Mounting height max.	2,50 m
Slave modeselectable	Yes
Sneak-by guard	Yes
Capability of masking out individual segments	No
Electronic scalability	Yes
Mechanical scalability	No

Basic light level function	Yes
Basic light level function time	10/30 min, all night
Interconnection	No
Basic light level function in per cent	10 %
Basic light level function percentage, from	10 %
Basic light level function percentage, up to	10 %
Colour Rendering Index CRI	= 82
Optimum mounting height	2 m

Dimension Drawing



Circuit diagram

