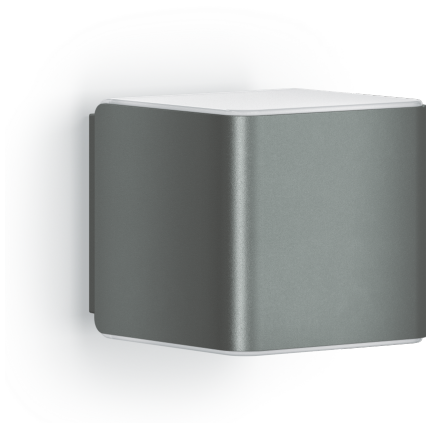


Outdoor light without sensor

# L 840 C

without motion detector, with Bluetooth  
EAN 4007841 079277  
Article number 079277



LED

3000 K



IP44



2 - 2000 lux



5 sec - 60 min



soft light start



manual override 4h



Light source not exchangeable



Control gear not exchangeable



energy saving

## Function description

State-of-the-art light cubes. The cubic L 840 C outdoor light without sensor sets every external home wall perfectly in scene with its elegant look and warm white LED light (3,000 K) and 319 lm. Ideal for terraces, home entrances and facades. Several lights can be interconnected to form light groups via app. If a sensor-controlled light is included, all lights switch ON automatically as soon as movement is detected. Colour: Anthracite.

## Technical specifications

Dimensions (L x W x H)	134 x 110 x 110 mm
With lamp	Yes, STEINEL LED system
Manufacturer's Warranty	3 years
Settings via	Bluetooth, App
With remote control	No
Version	without motion detector, with Bluetooth
PU1, EAN	4007841079277
Application, place	Outdoors
Application, room	outdoors, garden, front door, courtyard & driveway, all round the building, terrace / balcony
Colour	Anthracite
includes sheet of self-adhesive numbers	No
Installation site	wall
Impact resistance	IK03
IP-rating	IP44

Output	9,1 W
Photo-cell controller	No
Luminous flux total product	319 lm
Measured luminous flux (360°)	319 lm
Total product efficiency	35 lm/W
Colour temperature	3000 K
Lamp	LED cannot be replaced
LED life expectancy (max. °C)	50000 h
Service life LED L70B50 (25°)	> 60000 h
Base	without
LED cooling system	Passive Thermo Control
Soft light start	No
Basic light level function	No
Main light adjustable	10 - 100 %
Twilight setting TEACH	No
Interconnection	Yes
Interconnection via	Bluetooth

<https://www.steinel.de>

Subject to technical modifications

02.2023 Page 1 from 2

Outdoor light without sensor

# L 840 C

without motion detector, with Bluetooth  
EAN 4007841 079277  
Article number 079277

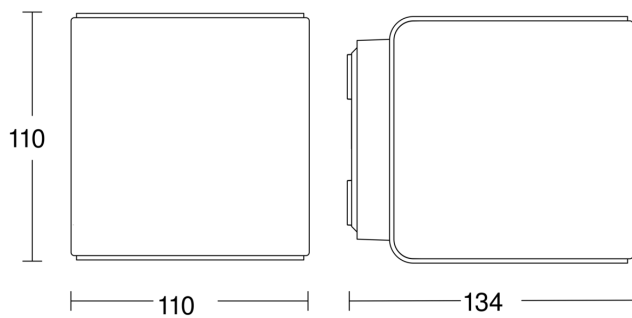


## Technical specifications

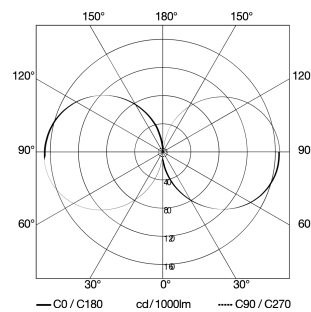
Protection class	II
Ambient temperature	-20 – 40 °C
Housing material	Plastic
Cover material	Plastic, opal
Mains power supply	220 – 240 V / 50 – 60 Hz

Colour Rendering Index CRI = 82

## Dimension Drawing



## Light Distribution Curve



Output	9,1 W
With lamp	Yes, STEINEL LED system
Lamp	LED cannot be replaced
Measured luminous flux (360°)	319 lm
Colour temperature	3000 K
Colour Rendering Index	80-89
LED life expectancy (max. °C)	50000 h
LED cooling system	Passive Thermo Control