

Sensor-switched LED floodlight

# XLED home 2 SC

white  
EAN 4007841 065454  
Article number 065454



LED

long life LED  
25.000 h

3000 K

3000K warm-white



infrared sensor  
180°



max. 10 m



IP44



Panel 180° hor.,  
180° ver.



Sensor 90° ver.,  
180° hor.



2 - 2000 lux



5 sec - 60 min



connectable via  
bluetooth

## Function description

Top seller. Now even better. Sensor-switched outdoor floodlight XLED home 2 SC for even greater security and wireless control via Bluetooth and via app. Fully swivelling LED panel in classy opal look. For the most exacting of demands on design and maximum lighting convenience. 1550 lm from a power consumption of just 13,8 W. Swivelling precision IR sensor (horizontally: 180°, vertically: 90°). 180° angle of coverage, 10 m reach. High thermal conductivity magnesium composite cooling system (HCMC).

## Technical specifications

Dimensions (L x W x H)	161 x 180 x 218 mm
With lamp	Yes, STEINEL LED system
With motion detector	Yes
Manufacturer's Warranty	5 years
Settings via	Bluetooth
Version	white
PU1, EAN	4007841065454
Application, place	Outdoors
Application, room	outdoors, all round the building, terrace / balcony, courtyard & driveway
Colour	white
Includes corner wall mount	No
Installation site	wall, corner
Installation	Surface wiring, corner, Wall
Impact resistance	IK03
IP-rating	IP44

Reach, radial	r = 5 m (39 m <sup>2</sup> )
Reach, tangential	r = 10 m (157 m <sup>2</sup> )
Photo-cell controller	Yes
Luminous flux total product	1550 lm
Measured luminous flux (360°)	1550 lm
Colour temperature	3000 K
Colour variation LED	SDCM3
Lamp	LED cannot be replaced
LED cooling system	HCMC (High Conductive Magnesium Composite)
Soft light start	No
Continuous light	selectable
Functions	Group parameterisation, Manual ON / ON-OFF, Neighbouring group function, Master/slave override, Night economy mode, Timer
Twilight setting	2 – 2000 lx
Time setting	5 s – 60 Min.

<https://www.steinell.de>

Subject to technical modifications

01.2023 Page 1 from 3

Sensor-switched LED floodlight

# XLED home 2 SC

white  
EAN 4007841 065454  
Article number 065454



## Technical specifications

Protection class	II	Basic light level function	No
Ambient temperature	-20 – 40 °C	Twilight setting TEACH	Yes
Housing material	HCMC	Interconnection	Yes
Cover material	Plastic, opal	Type of interconnection	Master/master, Master/slave
Mains power supply	220 – 240 V / 50 – 60 Hz	Interconnection via	Bluetooth
Mounting height max.	4,00 m	Output	13,8 W
Sneak-by guard	Yes	Colour Rendering Index CRI	= 82
Capability of masking out individual segments	Yes	Optimum mounting height	2 m
		Detection angle	180 °

## Accessories

EAN 4007841 055875	Corner wall mount XLED home 2/ PRO 240
EAN 4007841 053086	Corner wall mount XLED Home 2/ Pro 240
EAN 4007841 055615	Corner wall mount XLED home 2/ PRO 240

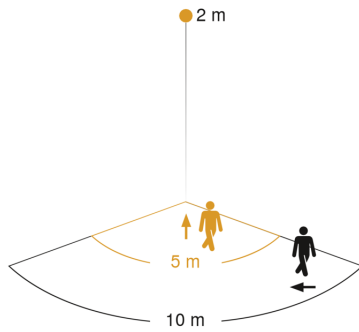
Sensor-switched LED floodlight

# XLED home 2 SC

white  
EAN 4007841 065454  
Article number 065454

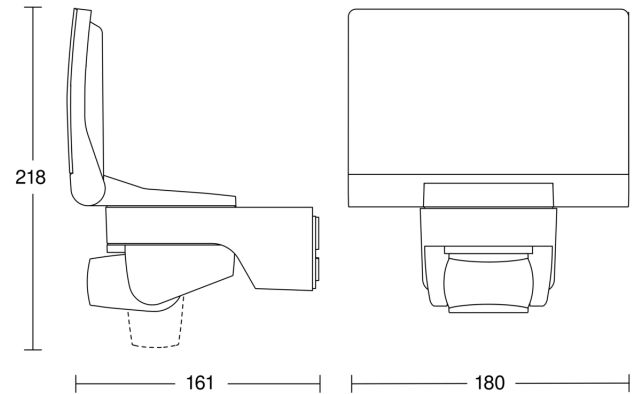


## Detection Zone

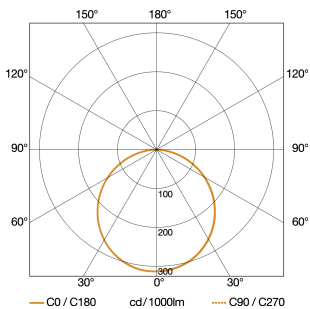


Mögliche Montagehöhe: 1,80 m – 4,00 m  
Orange: radial  
Schwarz: tangential

## Dimension Drawing



## Light Distribution Curve



Output	13,8 W
With lamp	Yes, STEINEL LED system
Lamp	LED cannot be replaced
Measured luminous flux (360°)	1550 lm
Colour temperature	3000 K
Colour Rendering Index	80-89
LED cooling system	HCMC (High Conductive Magnesium Composite)

## Master/master interconnection circuit diagram

